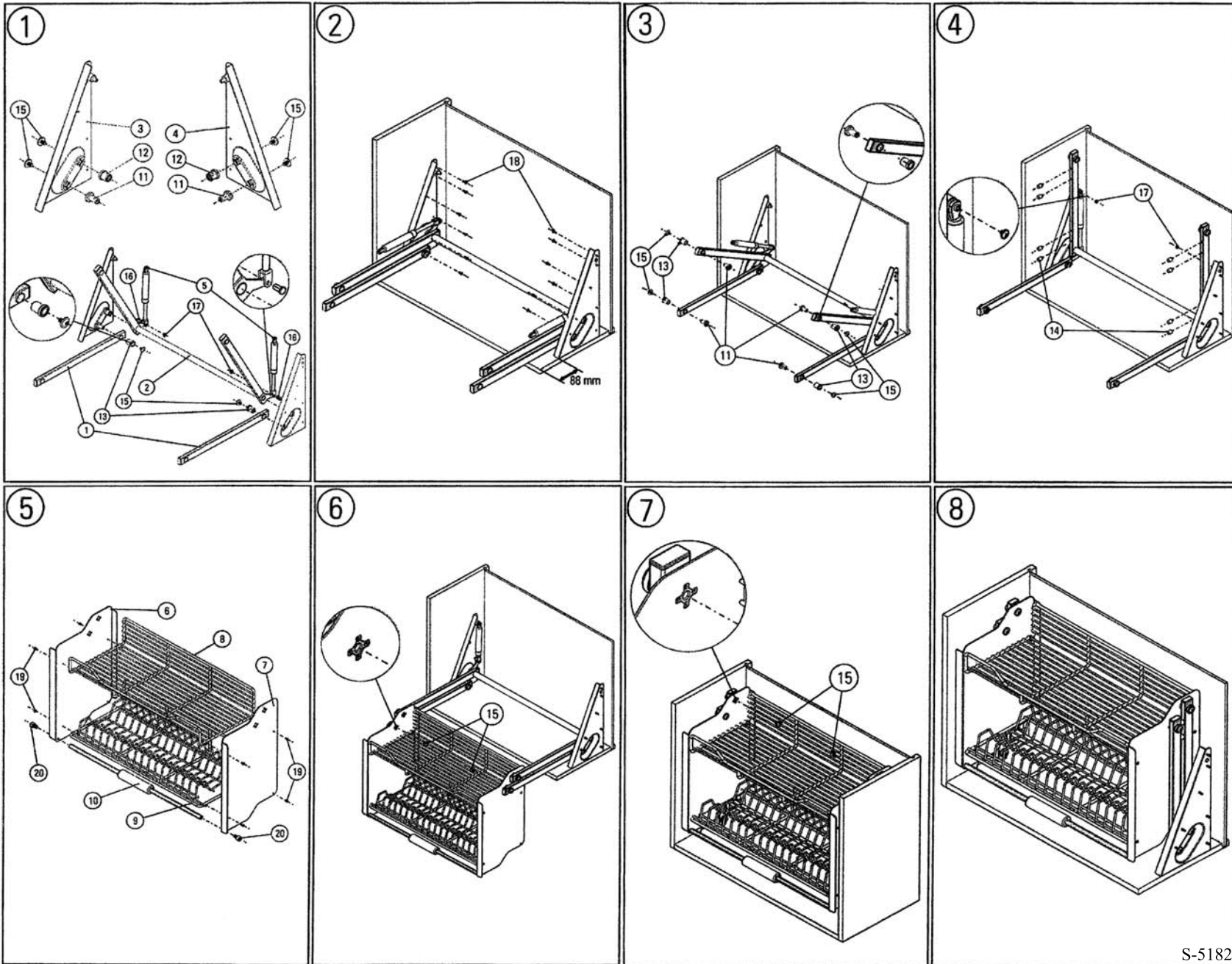


WALL MOTION INSTALLATION INSTRUCTIONS WM33DROP



ITEMS PART		
NO	PART DRAWING	PCS
1		2
2		1
3		1
4		1
5		2
6		1
7		1
8		1
9		1
10		1
11		6
12		2
13		6
14		8
15		14
16		2
17		4
18		14
19		8
20		2