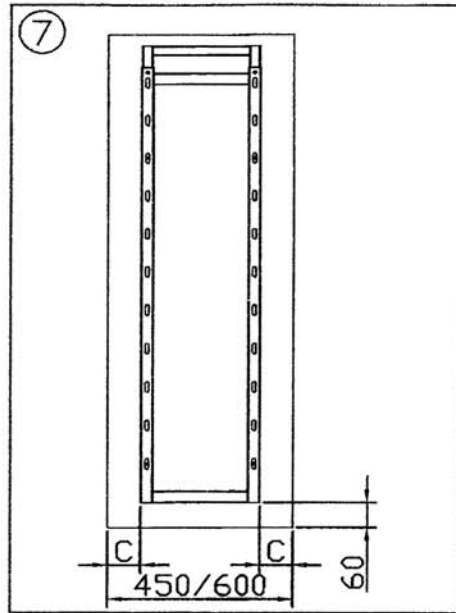
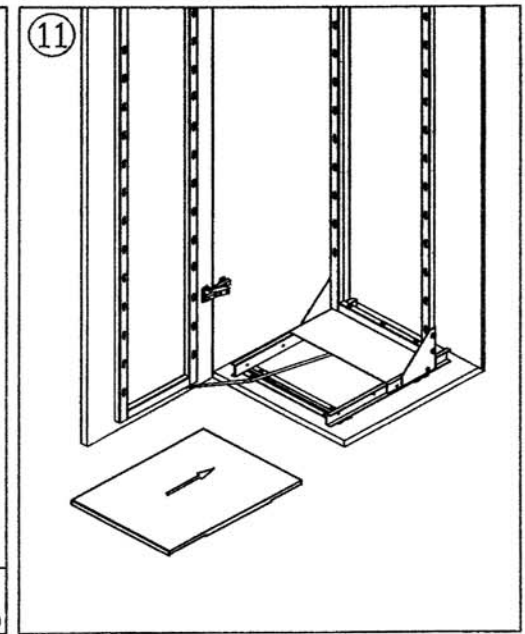
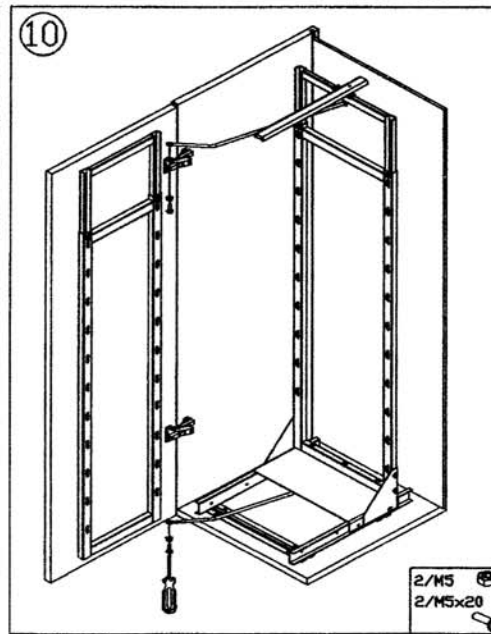
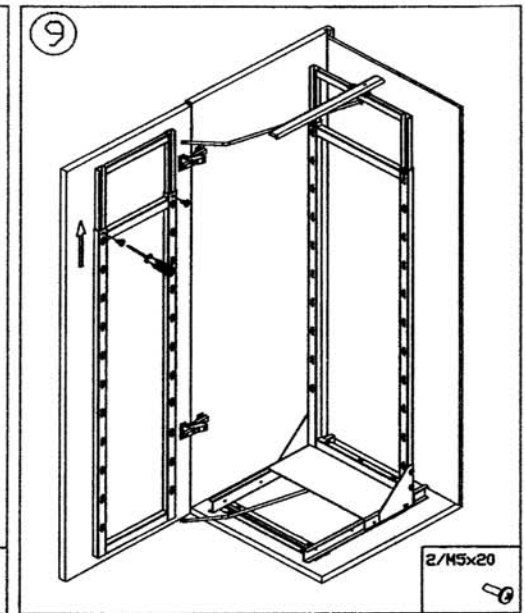
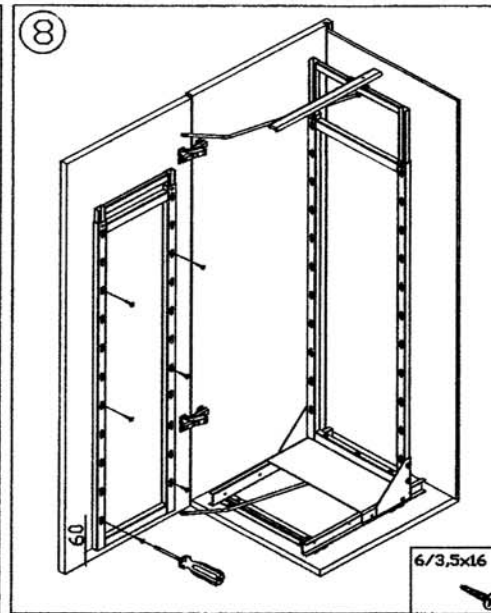


ITEMS PART		
NO	PART DRAWING	PCS
1		1
2		1
3		1
4		1
5		1
6		1

S-1241



ITEMS PART			
NO	PART DRAWING	PCS	
7		2	
8		125-140	4
		140-155	5
		155-170	5
		170-185	6
		185-200	6
9		125-140	4
		140-155	5
		155-170	5
		170-185	6
185-200	6		
10		3,5x16	16
11		M5	4
13		M5x10	6
14		M5x20	7
15		M5x50	3
16		M5	4
17		M4	1



PM18-2B