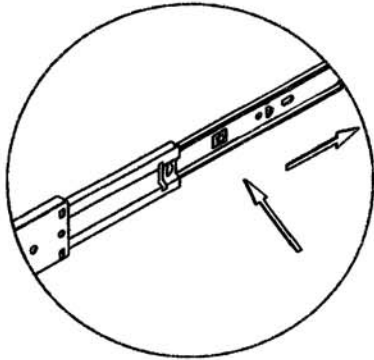


IMAGE A

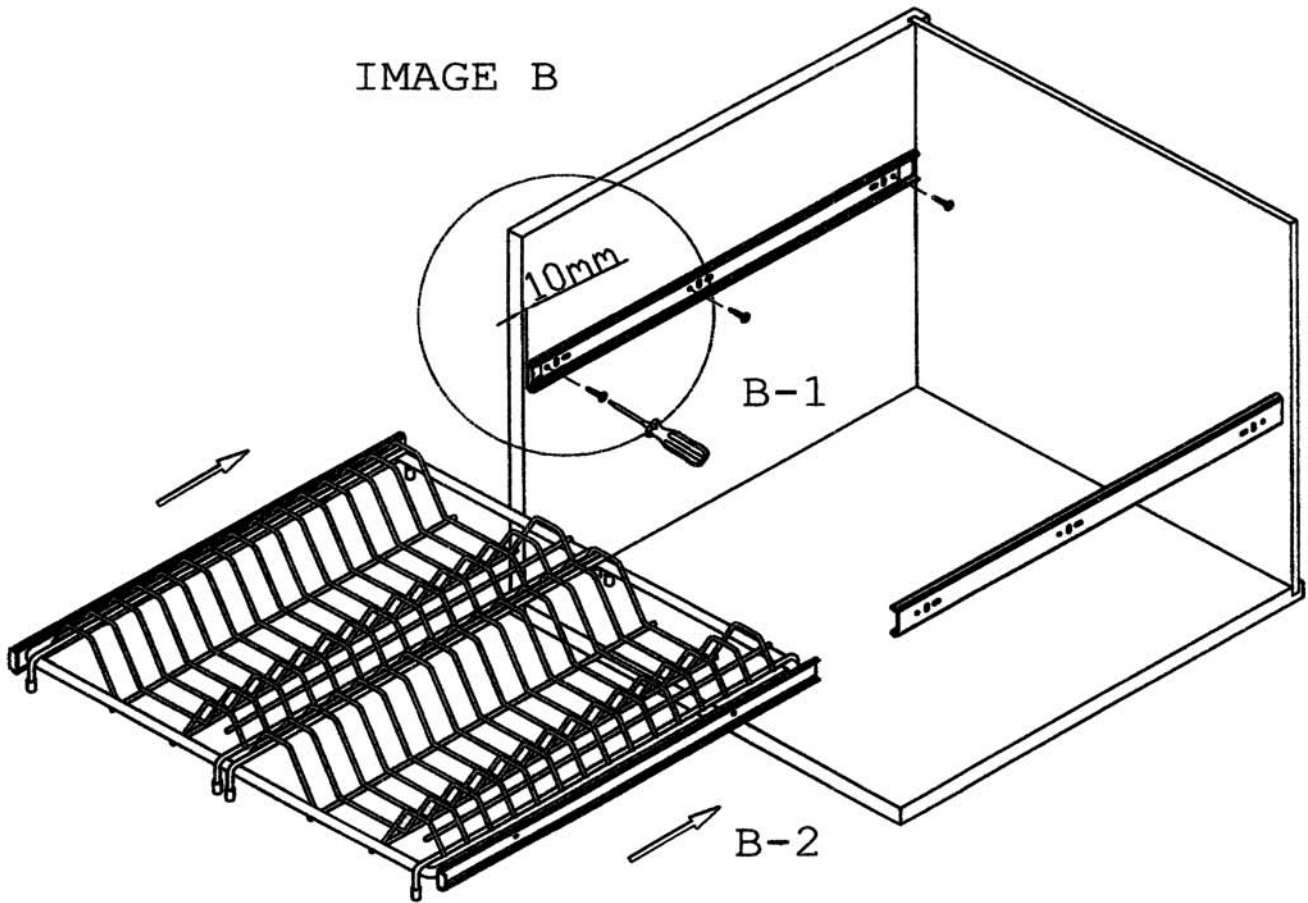


1- Allow to the plastic clips inside rails separated by pressing (IMAGE A).

2- Fix to rail portion of the narrow 10 mm in front of the module with screws to the hardboard(chip board) (B-1).

3- Fix to insert the module into the plate holder to the rails (B-2).

IMAGE B



BM27PTR

ITEMS PART		
NO	PART NAME	PCS.
1	RAIL	1 Set
2	PLATE HOLDER	2
3	FRAME OF PLATE	1