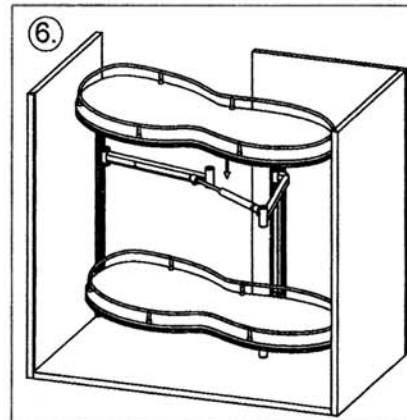
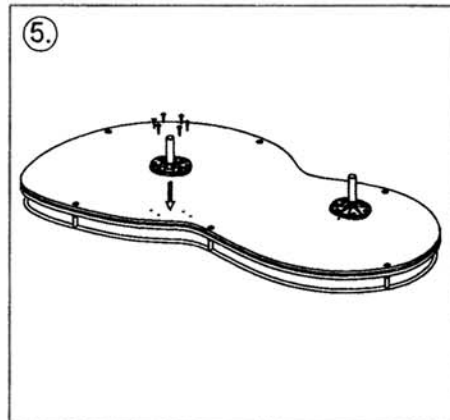
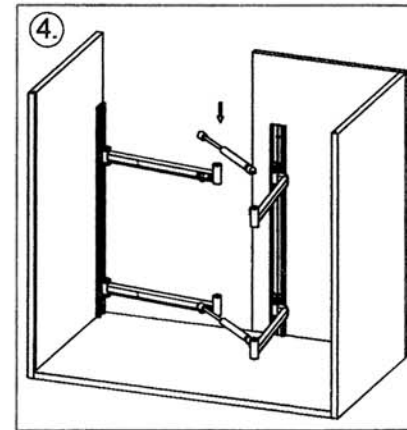
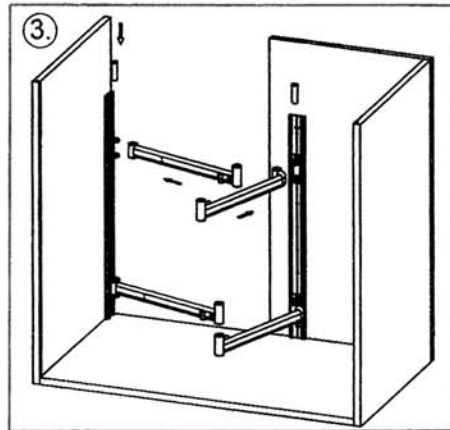
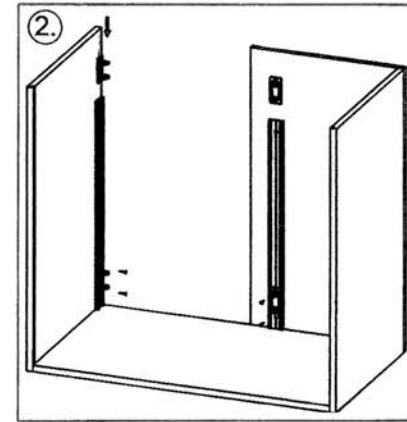
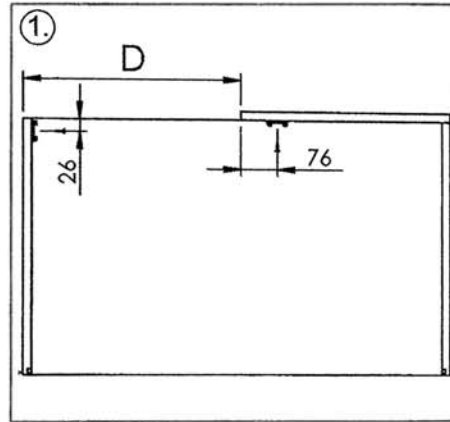


BC21-2OR



| ITEMS PART | | |
|------------|--------------|------|
| NO | PART DRAWING | PCS. |
| 1 | | 2 |
| 2 | | 2 |
| 3 | | 2 |
| 4 | | 2 |
| 5 | | 4 |
| 6 | | 2 |
| 7 | | 4 |
| 8 | | 4 |
| 9 | | 2 |
| 10 | | 36 |